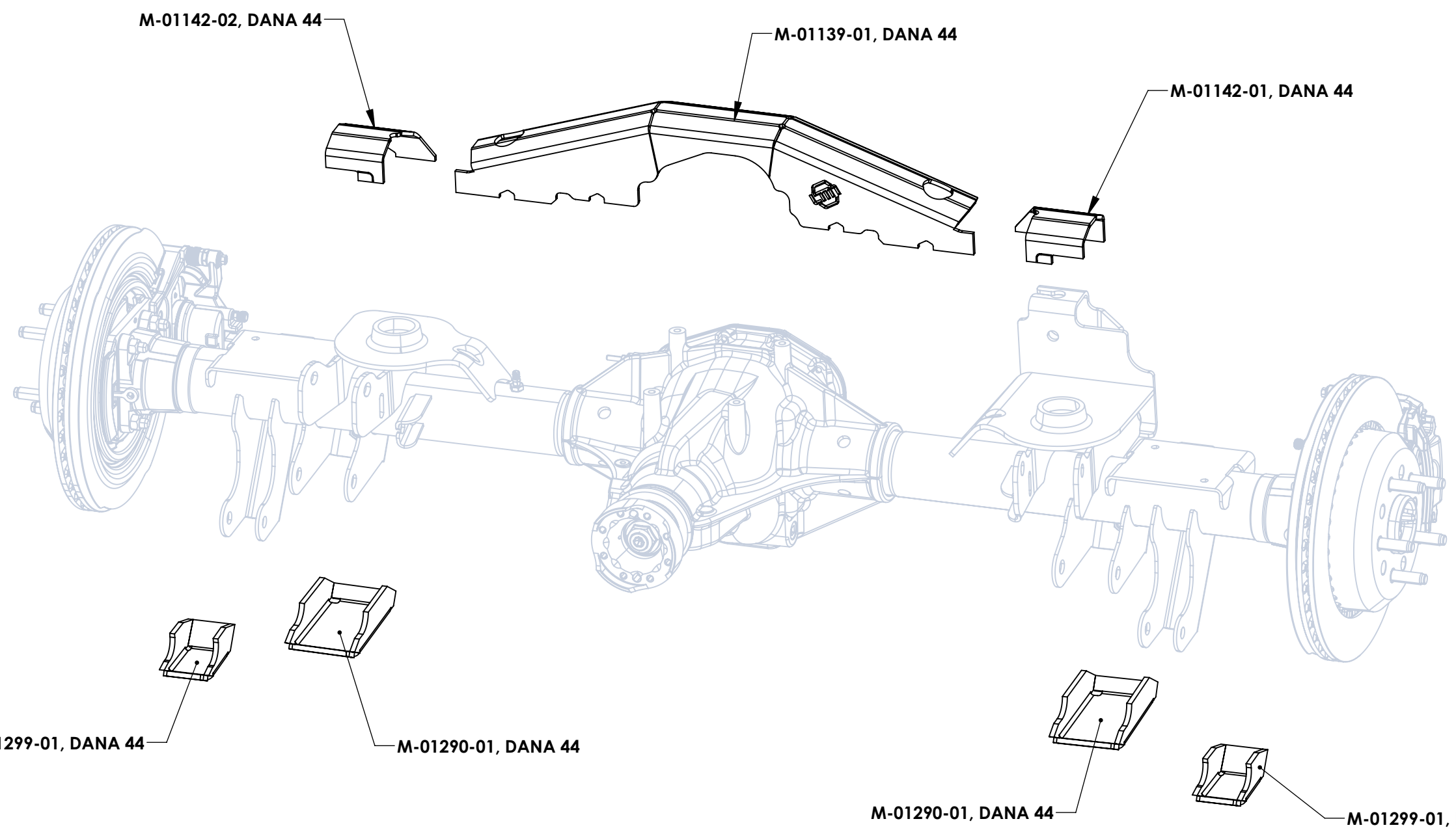


REVISIONS

REV.	DESCRIPTION	DATE	ECO
A	INITIAL RELEASE	03/06/2024	NPR0030
B	ADDED SHOCK SKIDS, M-01299-01	3/26/2026	ECO0114



SIGNATURE		DATE	4611 E Virginia St Mesa, Arizona 85215 1-480-323-0392 www.letzrollmetalworks.com		
DESIGNED BY: D. GRONLUND		03/06/2024			DESCRIPTION: JEEP JT REAR AXLE, ARMOR KITS
ENGINEERING APPROVAL:		DATE:			
QUALITY APPROVAL:		DATE:			
MANUFACTURING APPROVAL:		DATE:			
PROPRIETARY AND CONFIDENTIAL LETZROLL METALWORKS LLC D/B/A LM1			PART NUMBER: TD-00013	REV B	