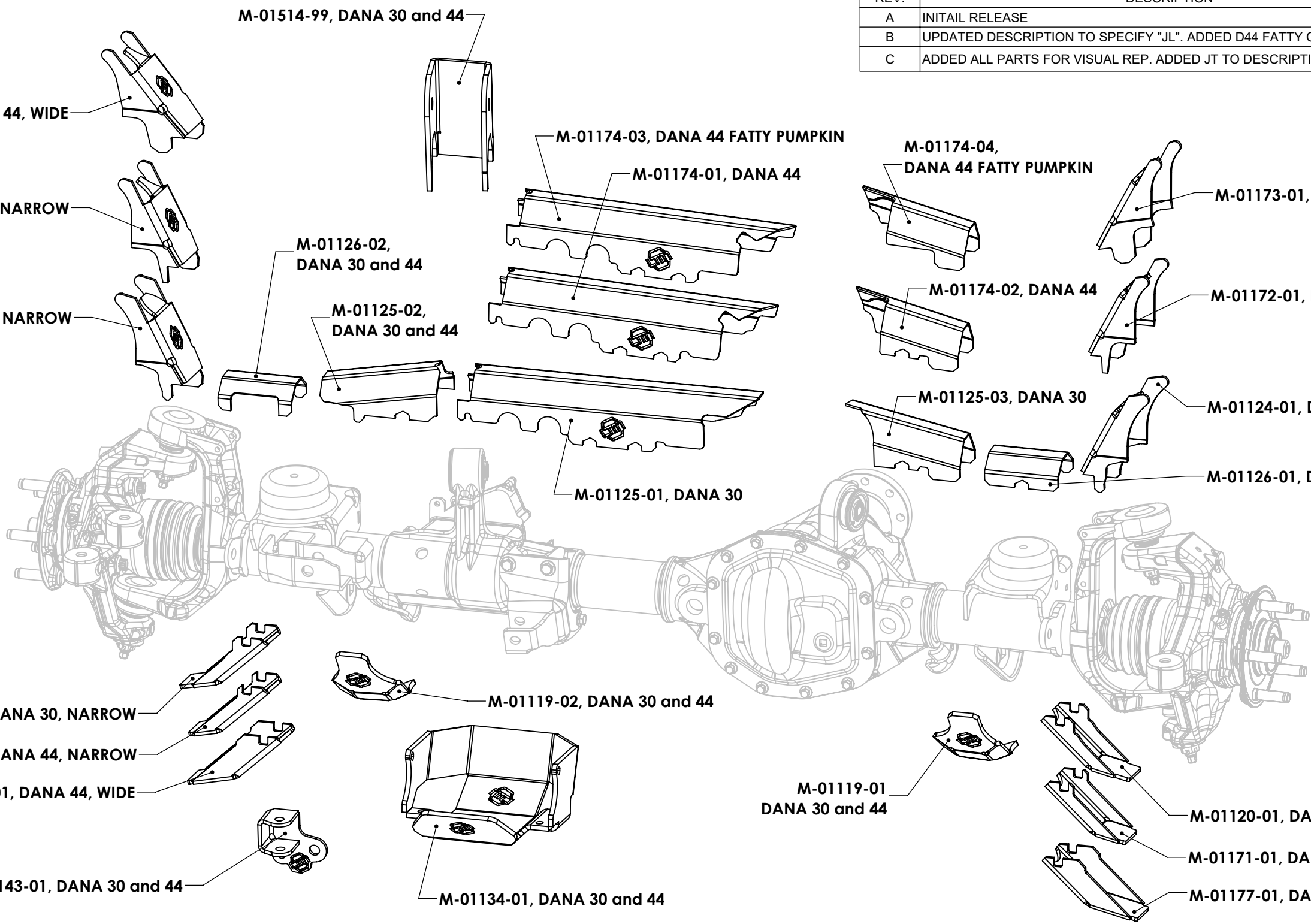



REVISIONS			
REV.	DESCRIPTION	DATE	ECO
A	INITIAL RELEASE	10/02/23	NPR0006
B	UPDATED DESCRIPTION TO SPECIFY "JL". ADDED D44 FATTY COMPONENTS	6/25/2024	ECO0046
C	ADDED ALL PARTS FOR VISUAL REP. ADDED JT TO DESCRIPTION	3/23/2026	ECO0111

D
C
B
A

D
C
B
A



SIGNATURE	DATE	4611 E Virginia St Mesa, Arizona 85215 1-480-323-0392 www.letzrollmetalworks.com		
DESIGNED BY: D. GRONLUND	DATE: 10/02/23			DESCRIPTION: JEEP JL-JT FRONT AXLE, DANA 30 AND 44, ARMOR KITS
ENGINEERING APPROVAL:	DATE:			
QUALITY APPROVAL:	DATE:			
MANUFACTURING APPROVAL:	DATE:			
PROPRIETARY AND CONFIDENTIAL LETZROLL METALWORKS LLC D/B/A LM1		PART NUMBER: TD-00001	REV C	